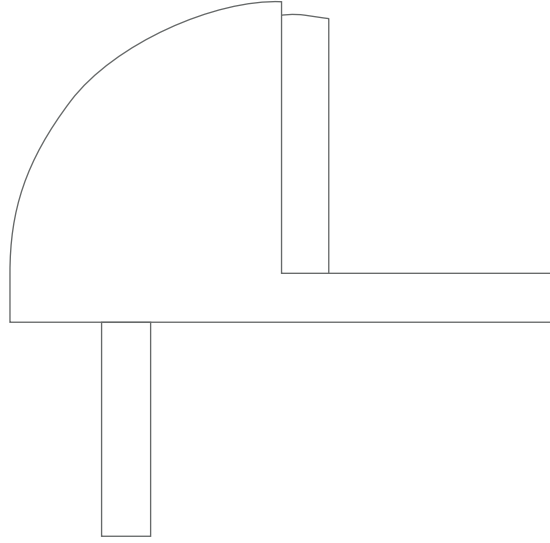


25



2.8

Ø44